

ML-1170.SCI MAXLOGIC INTELLIGENT ANALOGUE ADDRESSABLE BEAM
TYPE SMOKE DETECTOR, C/W SHORT CIRCUIT ISOLATOR



Maxlogic beam type smoke detector consists 2 parts as a receiver and transmitter. Should be mounted as facing each other between the distance of 5-100 m. The detector works on the principle of light obscuration. The photosensitive element sees light, produced by the transmitter unit in a normal condition. The transmitter unit is calibrated to a preset sensitivity level based on a percentage of total obscuration. It gives fault signal If this percentage of total obscuration is less than or equal to determined alarm level. It gives fault signal or fire alarm depends on the user choice if there is more than 90% sudden obstructiveness of the light.

PRODUCT FEATURES

- 5-100 meter operating distance
- 1500 m² area can be protected
- Compatible with EN 54-12 / EN 54-17
- Faults are monitored by 2 digit screen, easy commissioning
- LED indicators for operating, fault and fire conditions
- Drift compensation
- Detector doesn't need for waiting to be stabilized after installing
- Microprocessor controlled

LED Indicators;**POWER** : Shows the power status.**FIRE** : Shows the fire alarm status.**FAULT** : Shows the fault status**TECHNICAL SPECIFICATIONS**

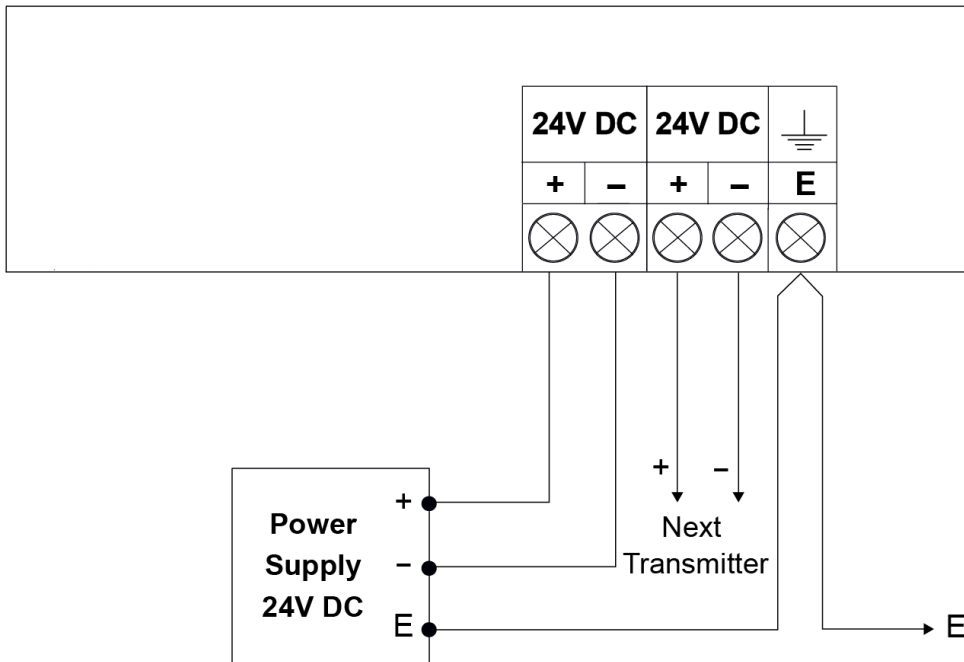
Operation Environment	Close Area
Detection Principles	Light Blocking
Operation Distance	5-100 meter
Alarm Levels	%25
Alarm Response Time	6-8 seconds
Largest Angular Error	0,5°
Operation Voltage	20V - 30V DC
Quiescent current	50 mA
Alarm Current	60 mA
Operating Temperature	(-10°C) ± (+55°C)
Maximum Humidity	95 (non- condensing)
Dimensions	160 x 192 x 109 mm
Weight	Receiver: 830 gr, Transmitter: 800 gr.
Color	White
Cable	1x2x0,8+0,8JH(st)H) / (1x2x1,0+1,0JH(st)H) / (1x2x1,5+1,5JH(st)H)
Short Circuit Isolator Section	
Maximum operation Voltage (Vmax)	33V
Minumum operation Voltage (Vmin)	18V
Nominal Power Supply (Vnom)	26V
Maximum operation current (ICmax)	1A
Maximum switching current (ISmax)	1A
Maximum current in the event of short circuit (ILmax)	45mA
Maximum contact resistance (ZCmax)	0.5Ω
Entering isolation voltage range (VSOmax) - (VSOmin)	8V - 13V
Exiting isolation voltage range (VSCmax) - (VSCmin)	8V - 13V

ACCESSORIES AND OPTIONS

ML-1171.SCI	Maxlogic intelligent analogue addressable beam type smoke detector, Receiver, c/w short circuit isolator
ML-1172	Maxlogic intelligent analogue addressable beam type smoke detector, Transmitter

CABLE CONNECTIONS

Transmitter Connections



Receiver Connection

